

Model ST270ECL

plancha profesional

i pro 230 iCurl

alisa y ondula
↑ sola pasada



IB-13207

14IP007814

©2014 Conair Corporation

chile@conair.com

IMPORTADO POR CONAIR
 COMERCIALIZADORA CHILE LTDA
 VITACURA 2670, PISO 15,
 LAS CONDES, SANTIAGO, CHILE

Correo electrónico: stamoneda@gmail.com

TEL: 266326288

SANTIAGO CENTRO

(Galerías Nacionales)

MONEDA Nº 772 LOCAL 314 "A"

SERVICIO TÉCNICO ELECTRÓNICO MONEDA

SUCURSAL

Correo electrónico: stavitacura@gmail.com

TEL: 22185253

VITACURA

VITACURA Nº 6780 MODULO "G" LOCAL 03

SERVICIO TÉCNICO ELECTRÓNICO VITACURA

CONAIR

CENTRAL

ANTECEDENTES DEL SERVICIO TÉCNICO

FIRMA Y N° DE IDENTIFICACIÓN
DEL CLIENTE:

NOMBRE Y SELLO DEL ESTABLECIMIENTO:

24 MESES (2 AÑOS)

PERÍODO DE GARANTÍA:

N° DE FACTURA:

FECHA DE COMPRA:

N° DE SERIE:

MODELO N°: ST270ECL

¡IMPORTANTE! - FAVOR DE CONSERVAR ESTE CERTIFICADO DE GARANTÍA, DEBIDAMENTE SELLADO POR EL ESTABLECIMIENTO EN DONDE COMPRÓ EL PRODUCTO. SERÁ REQUERIDA LA PRESENTACIÓN DEL MISMO ANTE UN EVENTUAL RECLAMO DE GARANTÍA.

** Recomendamos leer el manual de instrucciones.

3.6. Por accesorios y partes rotas o deterioradas durante el uso inadecuado.

3.5. Por desgaste normal de sus componentes y/o accesorios, por causas normales de uso.

3.4. Cuando los daños o averías causados en el artículo sean por accidentes, causas imprevisibles o deliberadas, o daños causados por voltajes dentro del 10% mayor o menor del indicado en la placa de especificaciones del artículo.

1. Nunca descuide ni abandone el aparato mientras esté conectado.

2. Este aparato no debería ser usado por, sobre o cerca de niños o personas con alguna discapacidad.

3. Utilice este aparato únicamente con el propósito para el cual fue diseñado y solamente según las instrucciones. Solo use accesorios recomendados por el fabricante.

4. No utilice este aparato si el cable o la clavija estuviesen dañados, si no funcionan debidamente, si estuviese dañado, o después de que se hubiese caído al piso o al agua. Regrese el aparato a un centro de servicio autorizado para su revisión y reparación.

5. Mantenga el cable alejado de superficies calientes. No jale, retuerza ni enrolle el cable alrededor del aparato.

6. Nunca utilice este aparato se quede dormido/a o adormilado/a.

7. Nunca deje caer ni inserte ningún objeto en ninguna de las aberturas del aparato.

8. No utilice el aparato en exteriores, ni lo haga funcionar donde se estén usando productos en aerosol (spray) o donde se esté administrando oxígeno.

9. Este aparato se pone muy caliente durante el uso. Mantenga los ojos y la piel alejados de las superficies calientes.

10. No coloque el aparato sobre ninguna superficie mientras esté caliente o conectado.

11. Nunca coloque el aparato sobre una superficie blanda, como una cama o un sofá.

partes, daños por insectos u otros comprobados en su momento. O por el mal uso, contrario a lo indicado en el manual de instrucciones.

3.3. Cuando los daños no sean defectos de fabricación, por ejemplo daños causados por golpes, derrame de residuos dentro de las

trabajos para los cuales no ha sido diseñado.

3.2. Cuando el artículo haya sido utilizado para

Técnicos Autorizado.

ser reparado por la red de Servicios

autorizado. El artículo solamente debe

desarmado o reparado por personal no

3.1. Cuando el artículo haya sido abierto,

de fabricación.

por todo aquel defecto eléctrico o mecánico

comprobados de fabricación. El artículo será

revisado, cambiado y/o reparado gratuitamente

deberá presentar la factura de compra y su

correspondiente Certificado de Garantía.

compra. Para hacerla efectiva, el cliente

La garantía rige a partir de la fecha de

condiciones de garantía.

Servicios Técnicos Autorizados.

las ventajitas que le brinda nuestra red de

servicio, que le da el derecho de gozar de todas

de

de

de

de

de

de

de

de

de

de

de

de

de

de

de

de

de

de

de

de

de

de

de

de

de

de

de

de

de

de

de

de

de

de

de

de

de

de

de

de

de

de

de

de

de

de

de

de

de

de

de

de

de

de



IMPORTANT SAFETY INSTRUCTIONS

When using electrical appliances, especially when children are present, basic safety precautions should always be followed, including the following:

READ ALL INSTRUCTIONS BEFORE USING

KEEP AWAY FROM WATER

DANGER - Any appliance is electrically live even when the switch is off. To reduce the risk of death by electric shock:

1. **Always unplug appliance immediately after using.**
2. Do not use while bathing or in a shower.
3. Do not place or store appliance where it can fall or be pulled into a tub or sink.
4. Do not place in, or drop into water or other liquids.
5. If an appliance falls into water, unplug it immediately. **Do not reach into the water.**

WARNING - To reduce the risk of burns, electrocution, fire, or injury to persons:

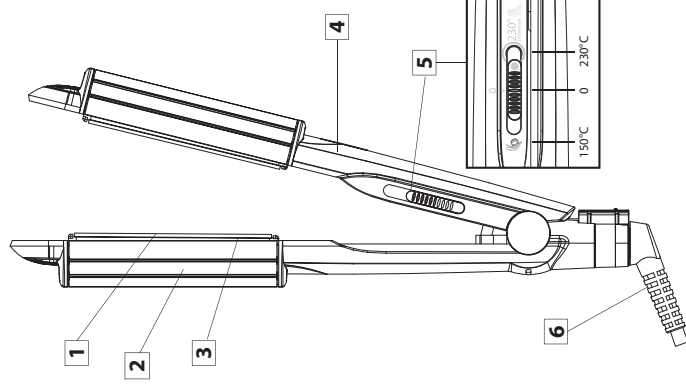
1. **This appliance should never be left unattended when plugged in.**

2. This appliance should not be used by, or near children or individuals with certain disabilities.

PRODUCT FEATURES

1. Flat plates to straighten
2. Curved plates to curl
3. Professional plates with Ceramic Intense coating - Size of the plates: 24 mm x 90 mm
4. Operated indication light (LED)
5. 2 temperature settings - 150 °C (☺) - 230 °C (☹)
6. Swivel cord
7. Heat-resistant insulated mat (not shown)

GETTING TO KNOW YOUR STRAIGHTENER



14. Do not attempt to touch the housing of your appliance near the heating plate, as it is hot when in use.
15. Do not use with a voltage converter.

SAVE THESE INSTRUCTIONS

iCurl

'iCurl' by Conair, the straightener used by professionals, is a revolutionary straightener, using the latest technology, that can straighten and curl your hair in just one stroke.

You will be pleased by the efficiency of the new Ceramic Professional plates. Smoother, they guarantee perfect glide for an impeccable result and for respecting your hair even more.

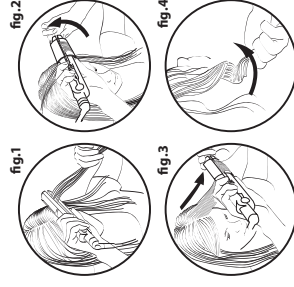
Please carefully read the instructions for use below before using the appliance.

INSTRUCTIONS FOR USE

The first time you use the unit, you may notice a little steam and a particular odor: this is common and will disappear the next time you use it.

- Use on dry hair.
- Plug in the appliance, switch on and select the desired temperature using the switch. The first setting ☺ (150 °C) is ideal for curling hair, the second setting ☹ (230 °C) is intended for straightening only.

- Take up a section about 2 to 3 cm wide and place it between the 2 heating plates, near the roots of your hair (fig. 1).
- Turn the 'iCurl' straightener 180° upwards (fig.2).
- Slowly glide the 'iCurl' straightener over the length of the section, from the roots to the tips (fig. 3).
- Remove the 'iCurl' straightener and use your fingers to twist the section again so that it takes its natural position (fig. 4).
- Repeat if necessary.
- You may wish to set the curls using a light misting of hairspray.
- After use, switch off and unplug the appliance. Allow to cool before storing away.



- Allow the hot straightener to heat up for about a minute.
- 60-second instant heat-up.
- Thoroughly brush hair and section.
- Start with the underneath sections of hair. Take a section of about 2 to 3 cm width and place it between the 2 hot plates with the appliance positioned close to the roots, being careful to avoid touching the hot surface of the appliance with your hand.
- Hold the hair firmly with the straightener and slide slowly along from the roots to the tips.
- Repeat again if necessary.
- Let the hair cool down before you comb it.
- After use, switch off and unplug the appliance. Allow to cool before storing away.

STRAIGHTENING YOUR HAIR

- Thoroughly brush hair and section.
- Start with the underneath sections of hair. Take a section of about 2 to 3 cm width and place it between the 2 hot plates with the appliance positioned close to the roots, being careful to avoid touching the hot surface of the appliance with your hand.
- Hold the hair firmly with the straightener and slide slowly along from the roots to the tips.
- Repeat again if necessary.
- Let the hair cool down before you comb it.
- After use, switch off and unplug the appliance. Allow to cool before storing away.

For straightening, a lower temperature is generally recommended for fine, bleached and/or damaged hair, and a higher temperature for curly, thick and/or difficult to style hair. Since every hair type is unique, we recommend you use the first setting ☺ the first time you use it. Progressively increase the temperature, if necessary, during the following uses.

- Allow the hot straightener to heat up for about a minute.
- 60-second instant heat-up.
- Thoroughly brush hair and section.
- Start with the underneath sections of hair. Take a section of about 2 to 3 cm width and place it between the 2 hot plates with the appliance positioned close to the roots, being careful to avoid touching the hot surface of the appliance with your hand.
- Hold the hair firmly with the straightener and slide slowly along from the roots to the tips.
- Repeat again if necessary.
- Let the hair cool down before you comb it.
- After use, switch off and unplug the appliance. Allow to cool before storing away.

TECHNICAL SERVICE INFORMATION

CONAIR CENTRAL OFFICE

SERVICIO TÉCNICO ELECTRONICO VITACURA
VITACURA Nº 6780 MODULO "G" LOCAL 03
VITACURA
TEL: 22185253
E.mail: stavitacura@gmail.com

BRANCH OFFICE

SERVICIO TÉCNICO ELECTRONICO MONEDA
MONEDA Nº 772 LOCAL 314 "A" (Galerías Nacionales)
SANTIAGO CENTRO
TEL: 26326268
E.mail: stamoneda@gmail.com

IMPORTED BY CONAIR
COMERCIALIZADORA CHILE LTDA
VITACURA 2670, PISO 15,
LAS CONDES, SANTIAGO, CHILE
chile@conair.com

©2014 Conair Corporation

**We recommend that you read the instruction manual.

IMPORTANT! PLEASE KEEP THIS CERTIFICATE OF WARRANTY, STAMPED BY THE ESTABLISHMENT WHERE THE PRODUCT WAS PURCHASED. YOU WILL BE REQUIRED TO PRESENT IT FOR ANY CLAIM UNDER THIS WARRANTY.

MODEL #: ST270ECL

SERIAL #:

DATE OF PURCHASE:

INVOICE #:

WARRANTY DURATION:

24 MONTHS (2 YEARS)

VENDOR'S NAME AND STAMP:

CLIENT'S SIGNATURE AND ID #

CERTIFICATE OF WARRANTY

Congratulations! You have purchased a guaranteed CONAIR product.

Conair extends the following service warranty, which entitles you to enjoy all the advantages that our network of Authorized Technical Services provides.

Terms and Conditions of the Certificate of Warranty:

1. The warranty is valid from the date of purchase. To make it effective, the customer must present a proof of purchase and the Certificate of Warranty.
2. The warranty only applies to proven manufacturing defects. The product will be inspected and will be exchanged and/or repaired only if it presents any electrical or mechanical manufacturing defect.
3. The warranty does not apply:
 - 3.2. If the product has been used for purposes for which it has not been designed.
 - 3.3. If the damages are not manufacturing defects, e.g. impact damage, spill damage, insect damage or any other damages found during inspection. If the product has been misused, i.e. contrary to what is indicated in the instruction manual.
 - 3.4. If the damages were caused by accidents, accidental or deliberate acts, or voltage 10% greater or lesser than the one indicated on the product's rating plate.
 - 3.5. If the damages are due to the normal wear of parts and/or accessories during normal use.
 - 3.6. If the damages were caused to accessories and parts during improper use of the product.